

Canopies South West Log Cabin Fitting Instructions.

- 1-2. Each cabin is carefully put into packs in order to prevent damage during storage and transportation
 3. The package contains all the parts needed to erect the cabin.
 4. A well-made foundation is essential for easy erection of the cabin. Concrete or paving slabs prove to be the best. The bearers are treated so they are resistant to damp and rot. Additional damp proofing can also be used.
 5. When the construction reaches a certain height, the pre-assembled windows and doors are easily fixed into the walls.
 6. Upon finishing the walls, the pre-assembled gables are put into the places.

 7. Now the roof joists can be fitted into the notches, which are pre-cut in the gables. The roof boards are laid on top starting from the front of the cabin. Roofing material is then placed on top.

 8. The floorboards and skirting boards are fitted next. Then it is time to finish the terrace and decking. The cabin is ready for painting or treating!
- 1-2. Each cabin is carefully put into packs in order to prevent damage during storage and transportation
 3. The package contains all the parts needed to erect the cabin.
 4. A well-made foundation is essential for easy erection of the cabin. Concrete or paving slabs prove to be the best. The bearers are treated so they are resistant to damp and rot. Additional damp proofing can also be used.
 5. When the construction reaches a certain height, the pre-assembled windows and doors are easily fixed into the walls.
 6. Upon finishing the walls, the pre-assembled gables are put into the places.

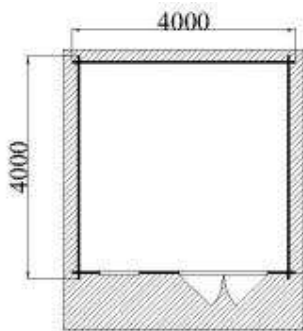
7. Now the roof joists can be fitted into the notches that are pre-cut in the gables. The roof boards are laid on top starting from the front of the cabin. Roofing material is then placed on top.

8. The floorboards and skirting boards are fitted next. Then it is time to finish the terrace and decking. The cabin is ready for painting or treating!

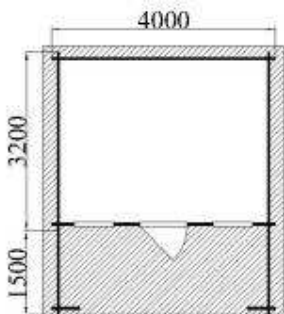
Your log cabin will be delivered kerbside.

If purchased supply only you will require your own fixings.

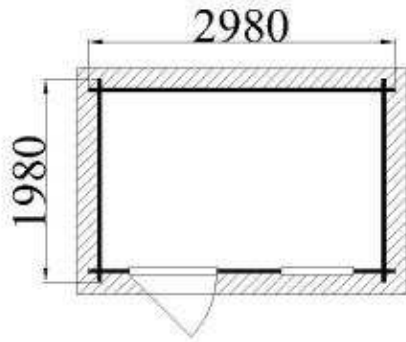
All fitted log cabins will require a level base pre prepared and all fixings are included in the fixing costs.



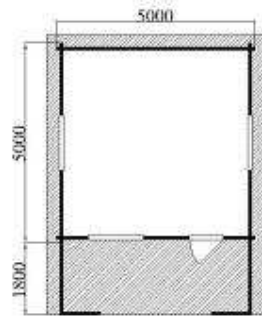
Aviemore Layout



Chamonix Layout



Whistler Layout



Aspen Log House Layout